

W.I.C.C. Ltd
 119 MULLER RD
 PO Box 252
 WASHINGTON IL 61571
 (309)-444-4125
 FAX (309)-444-3313

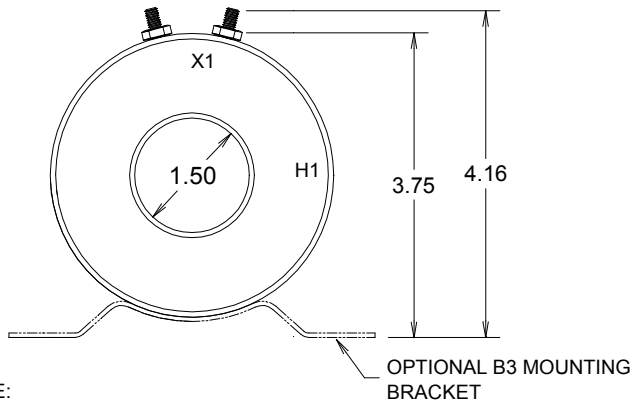
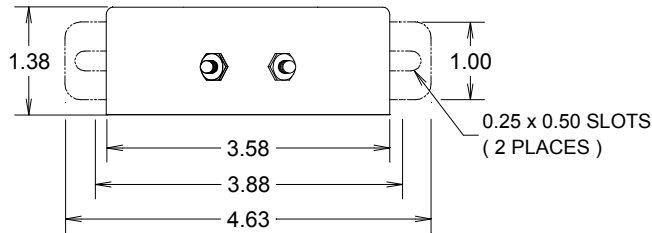
CURRENT TRANSFORMER MODEL DX

1.50" I.D.

PAGE No

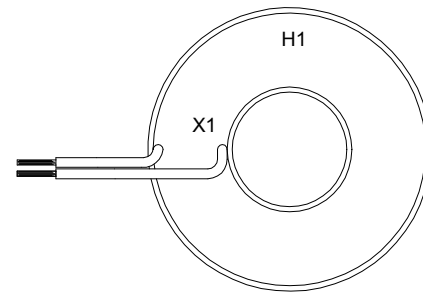
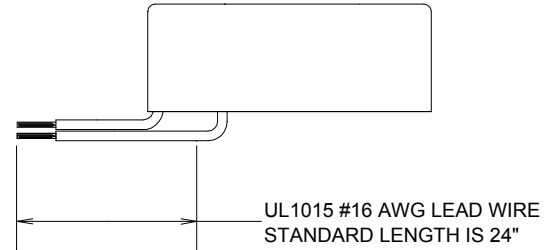
REV 25JUL00

TERMINAL OPTION



NOTE:
 1) ALL DIMENSIONS IN INCHES
 2) ALL DIMENSIONS REF ONLY

LEAD WIRE OPTION



Specifications

- Secondary sources 5 amps AC at rated F.S. primary current
- Nominal operating frequency range is 50-400HZ
- Thermal rating factor is 1.33 @ 30C for all ratios
- Insulation voltage class is 0.6KV BIL 10KV
- For indoor applications only
- Conforms to provisions of IEEE C57.13 and IEC 44-1
- Enclosure is glass-filled nylon, color is black
- Optional bracket is aluminum

Options, contact Factory for information

- UL and Canadian UL Recognized Component. File E100575
- 2.0, 5.0, and 10 VAC output at F.S. primary amperage. Other non-standard ratings also available.
- 1.0, 0.2, and 0.1 A output at F.S. primary amperage. Other non-standard ratings also available
- 8-32 Brass Stud Terminals or #16 AWG UL 1015 Lead Wires
- Custom lead wire lengths and types
- Thermal ratings above 1.33 for selected ratios.
- Available with B3 bracket. See Bracket Data Section for dimensions.
- Center tap and custom multi tap winding arrangements

1.50" I.D.

CURRENT TRANSFORMER
MODEL DX

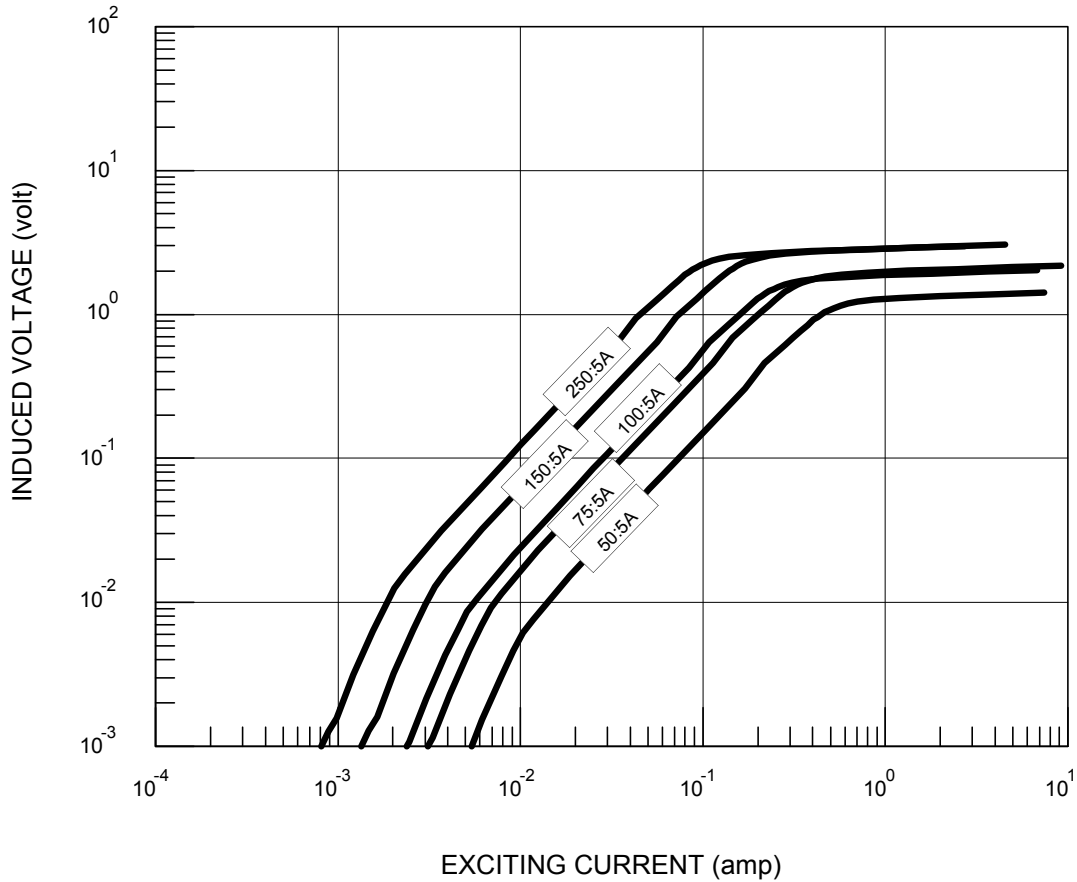
PAGE No

REV 25JUL00



W.I.C.C. Ltd
 119 MULLER RD
 PO Box 252
 WASHINGTON IL 61571
 (309)-444-4125
 FAX (309)-444-3313

TYPICAL EXCITATION CURVE for WICC MODEL DX at 60HZ



W.I.C.C. PART NUMBER *	RATIO	ACCURACY @ 60HZ, pf = 0.95		NOMINAL WINDING RESISTANCE (ohm)
		± %	BURDEN (VA)	
DX-050-00-xxx	50:5A	3.0	1.5	0.01
DX-075-00-xxx	75:5A	2.0	2.5	0.01
DX-100-00-xxx	100:5A	1.5	2.5	0.02
DX-150-00-xxx	150:5A	1.0	2.5	0.03
DX-200-00-xxx	200:5A	1.0	4.0	0.05
DX-250-00-xxx	250:5A	1.0	5.0	0.06

* "xxx" describes termination: "T" FOR BRASS STUDS, "Lyyy" FOR LEAD WIRES (Where "yyy" is the lead length in inches. For example, "L24" represents 24 inch long lead wires.)