

W.I.C.C. Ltd  
 119 MULLER RD  
 PO Box 252  
 WASHINGTON IL 61571  
 (309)-444-4125  
 FAX (309)-444-3313

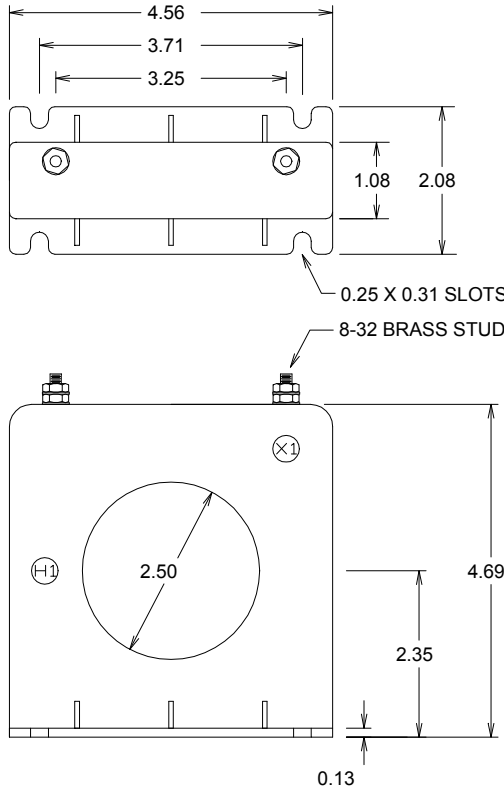
# CURRENT TRANSFORMER MODEL 653FX

2.50" I.D.

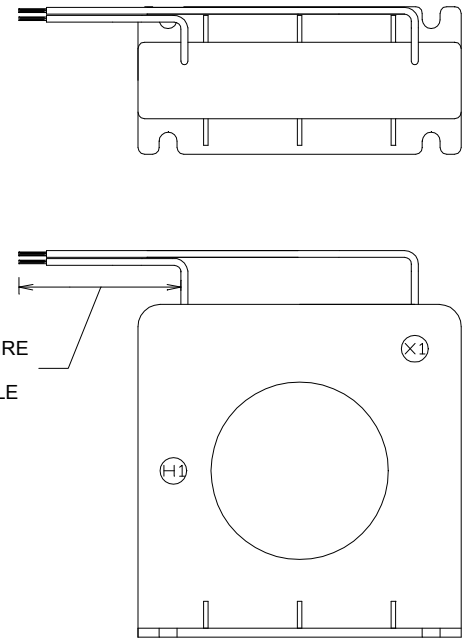
PAGE No 1-62

REV 18DEC00

## TERMINAL OPTION



## LEAD WIRE OPTION



UL 1015, #16 AWG LEAD WIRE  
 STANDARD LENGTH IS 24",  
 OTHER LENGTHS AVAILABLE

### NOTES

- 1). ALL DIMENSIONS IN INCHES
- 2). ALL DIMENSIONS REF ONLY

## Specifications

- Secondary sources 5 amps AC at rated F.S. primary current
- Nominal operating frequency range is 50-400HZ
- Thermal rating factor is 1.33 @ 30C for ratios up to 1250:5A, 1.15 @ 30C for ratios above 1250:5A
- Insulation voltage class is 0.6KV BIL 10KV
- For indoor applications only
- Reference documents IEEE C57.13, UL1244, CSA CAN3-C13-M83, and IEC 44-1
- Enclosure is made of glass-filled Nylon, color is black

## Options, contact Factory for information

- UL and Canadian UL Recognized Component. File E100575.
- 2.0, 5.0, and 10 VAC output at F.S. primary amperage. Other non-standard ratings also available.
- 1, 0.2, and 0.1 A output at F.S. primary amperage. Other non-standard ratings also available
- 8-32 Brass Studs or #16 AWG UL 1015 Lead Wires.
- Custom lead wire lengths and types.
- Thermal ratings above 1.33 for selected ratios.
- Housing with or without mounting flange (See Model 653X for no-flange design).
- Center tap and custom multi tap winding arrangements

2.50" I.D.

PAGE No 1-63

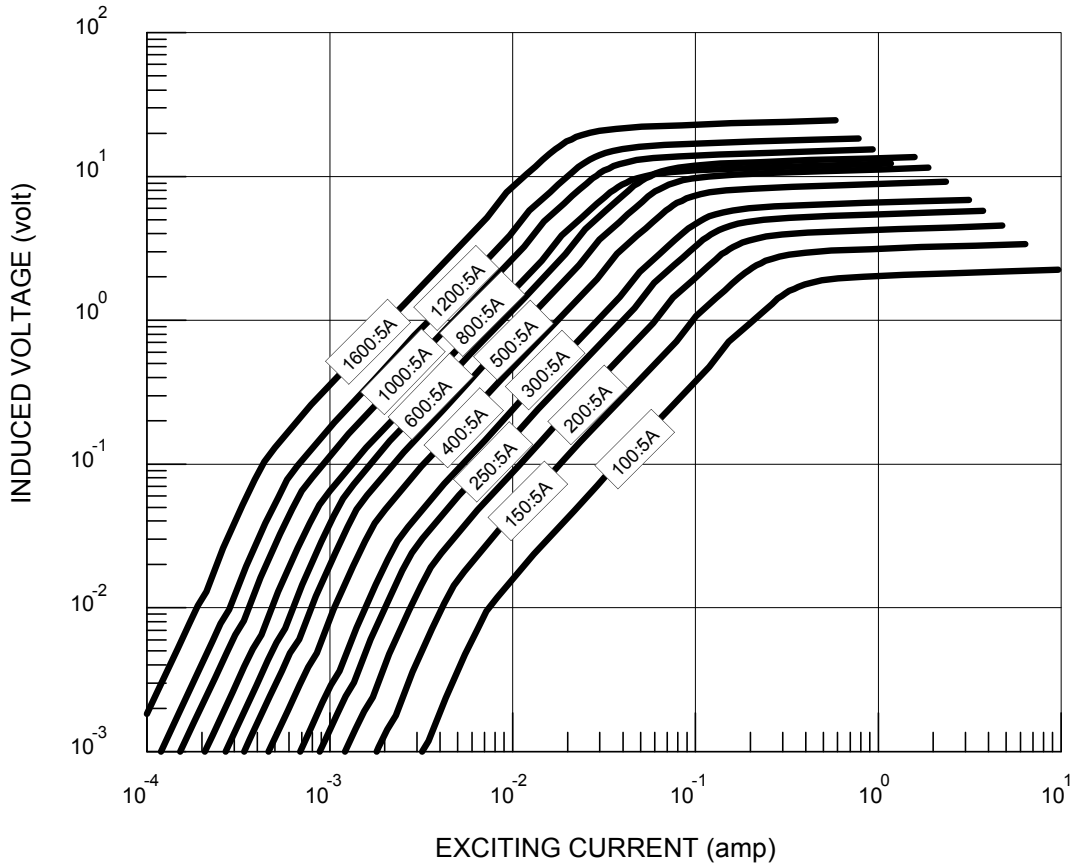
REV 18DEC00

CURRENT TRANSFORMER  
**MODEL 653FX**



W.I.C.C. Ltd  
 119 MULLER RD  
 PO Box 252  
 WASHINGTON IL 61571  
 (309)-444-4125  
 FAX (309)-444-3313

TYPICAL EXCITATION CURVE for WICC MODEL 653FX at 60HZ



W.I.C.C. PART NUMBER *	RATIO	ACCURACY @ 60HZ		NOMINAL WINDING RESISTANCE (ohm)
		± %	BURDEN (VA)	
653FX-100-00-xxx	100:5A	2.0	2.0	0.02
653FX-150-00-xxx	150:5A	1.0	2.0	0.03
653FX-200-00-xxx	200:5A	1.0	4.0	0.03
653FX-250-00-xxx	250:5A	1.0	7.5	0.04
653FX-300-00-xxx	300:5A	1.0	10	0.05
653FX-400-00-xxx	400:5A	1.0	15	0.11
653FX-500-00-xxx	500:5A	1.0	30	0.13
653FX-600-00-xxx	600:5A	1.0	45	0.16
653FX-800-00-xxx	800:5A	1.0	35	0.19
653FX-1000-00-xxx	1000:5A	1.0	50	0.23
653FX-1200-00-xxx	1200:5A	1.0	60	0.28
653FX-1600-00-xxx	1600:5A	1.0	80	0.38

\* "xxx" describes termination: "T" FOR BRASS STUDS, "Lyyy" FOR LEAD WIRES (Where "yyy" is the lead length in inches. For example, "L24" represents 24 inch long lead wires.)