

W.I.C.C. Ltd
 119 MULLER RD
 PO Box 252
 WASHINGTON IL 61571
 (309)-444-4125
 FAX (309)-444-3313

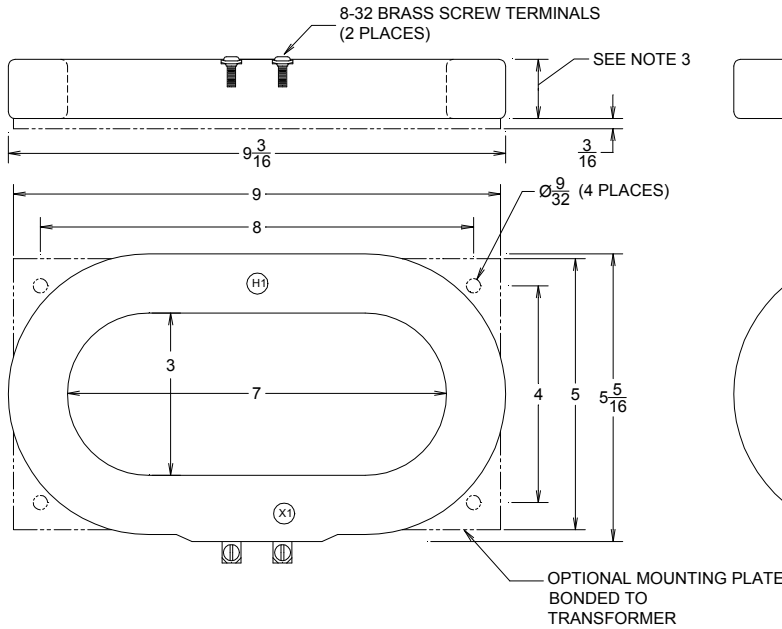
CURRENT TRANSFORMER MODEL J1

3" x 7"

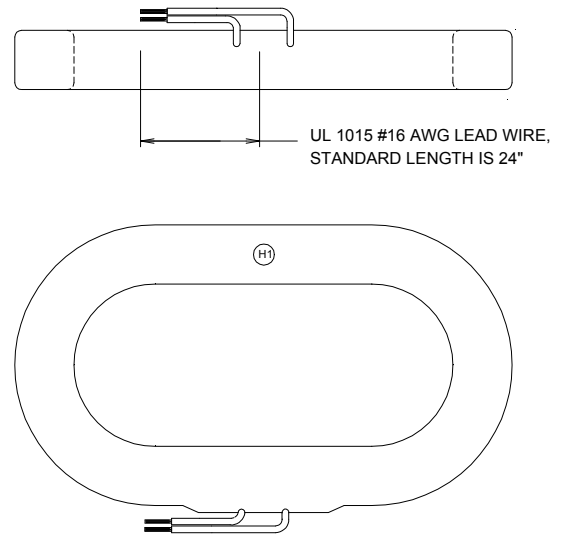
PAGE No 2-2

REV 18DEC00

TERMINAL OPTION



LEAD WIRE OPTION



NOTES

- 1). ALL DIMENSIONS IN INCHES
- 2). ALL DIMENSIONS REF ONLY
- 3). HT = 1-1/2 FOR RATIOS UP TO 1750:5A
 HT = 1-3/8 FOR RATIOS 1750:5A TO 3000:5A
 HT = 1-1/8 FOR RATIOS ABOVE 3000:5A

Specifications

- Secondary sources 5 amps AC at rated F.S. primary current
- Nominal operating frequency range is 50-400HZ
- Thermal rating factor is 1.33 @ 30C for all ratios
- Insulation voltage class is 0.6KV BIL 10KV
- For indoor applications only
- Reference documents IEEE C57.13, UL1244, CSA CAN3-C13-M83, and IEC 44-1
- Enclosure is multi-layer tape buildup with heavy vinyl finish, color is black
- Optional plate is XX phenolic
- UL and Canadian UL Recognized Component. File E100575

Options, contact Factory for information

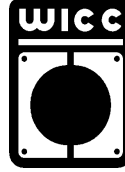
- 2.0, 5.0, and 10 VAC output at F.S. primary amperage. Other non-standard ratings also available.
- 1, 0.2, and 0.1 A output at F.S. primary amperage. Other non-standard ratings also available
- 8-32 Screw Terminals or #16 AWG UL 1015 Lead Wires
- Custom lead wire lengths and types
- Thermal ratings above 1.33 for selected ratios.
- Available with BB4 bus bar brackets. See Bracket Data Section for dimensions.

3" x 7"

CURRENT TRANSFORMER
MODEL J1

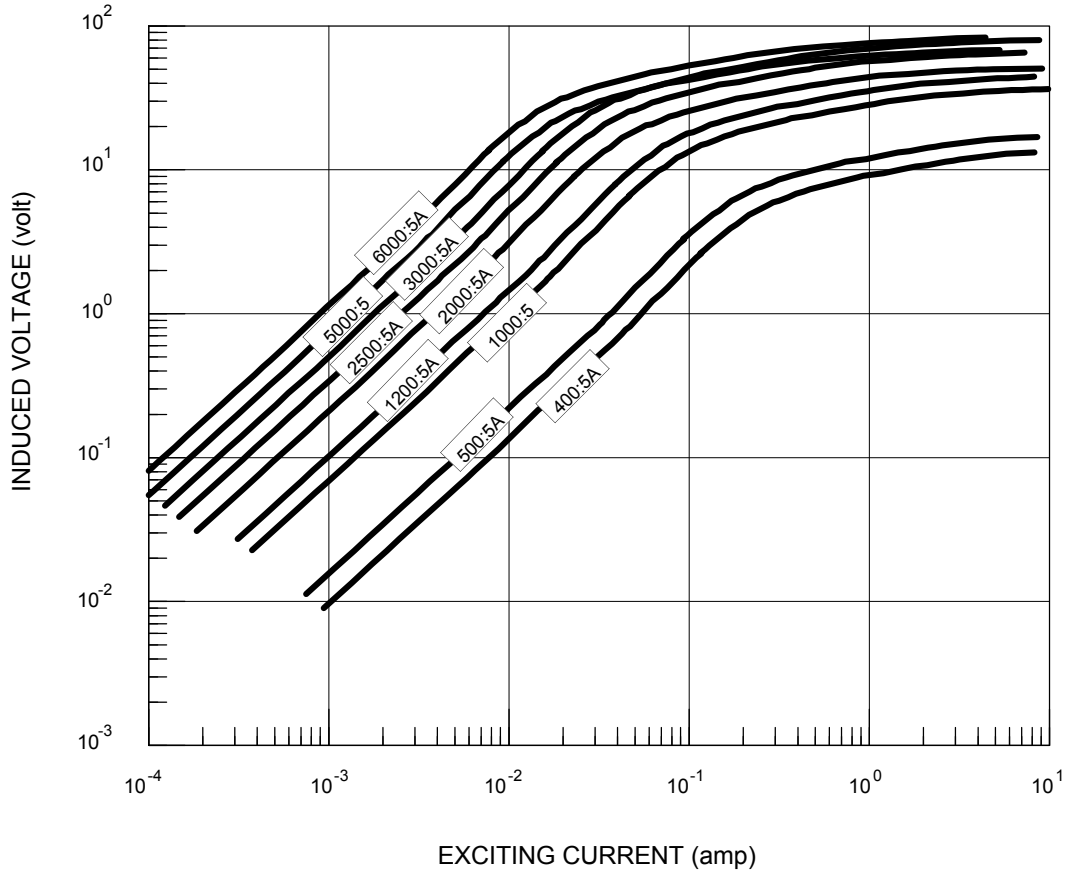
PAGE No 2-3

REV 18DEC00



W.I.C.C. Ltd
 119 MULLER RD
 PO Box 252
 WASHINGTON IL 61571
 (309)-444-4125
 FAX (309)-444-3313

TYPICAL EXCITATION CURVE for WICC MODEL J1 at 60HZ



W.I.C.C. PART NUMBER *	RATIO	ACCURACY @ 60HZ		NOMINAL WINDING RESISTANCE (ohm)
		± %	BURDEN (VA)	
J1-400-00-xxx	400:5A	1.0	5.0	0.09
J1-500-00-xxx	500:5A	1.0	8.0	0.12
J1-600-00-xxx	600:5A	1.0	12	0.17
J1-1000-00-xxx	1000:5A	1.0	35	0.28
J1-1200-00-xxx	1200:5A	1.0	55	0.34
J1-1500-00-xxx	1500:5A	1.0	75	0.52
J1-1600-00-xxx	1600:5A	1.0	75	0.55
J1-2000-00-xxx	2000:5A	1.0	65	0.73
J1-2500-00-xxx	2500:5A	1.0	85	0.91
J1-3000-00-xxx	3000:5A	1.0	100	1.1
J1-4000-00-xxx	4000:5A	1.0	75	1.1
J1-5000-00-xxx	5000:5A	1.0	85	1.4
J1-6000-00-xxx	6000:5A	1.0	100	1.7

* "xxx" describes termination: "T" FOR BRASS SCREW TERMINALS and "Lyyy" FOR LEAD WIRES (Where "yyy" is the lead length in inches. For example, "L24" represents 24 inch long lead wires.)